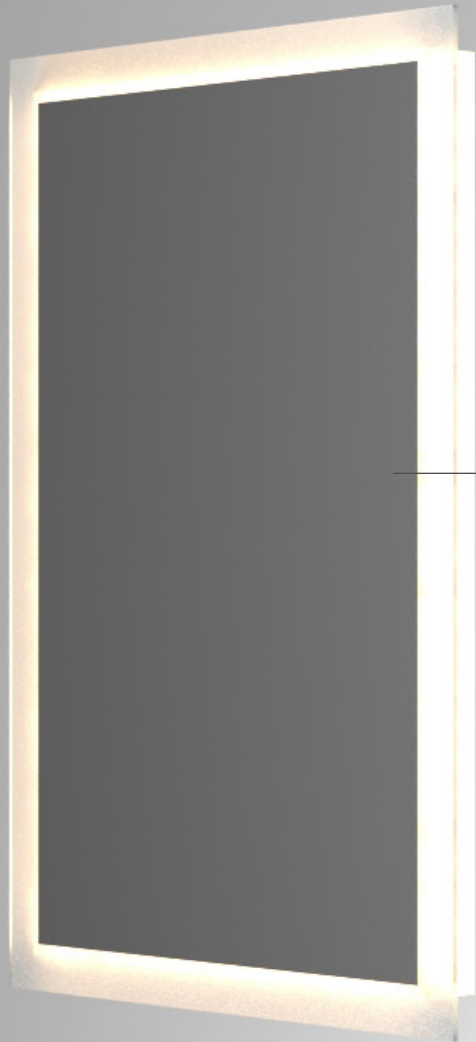


## MIRROLUX | Specifications & Instructions

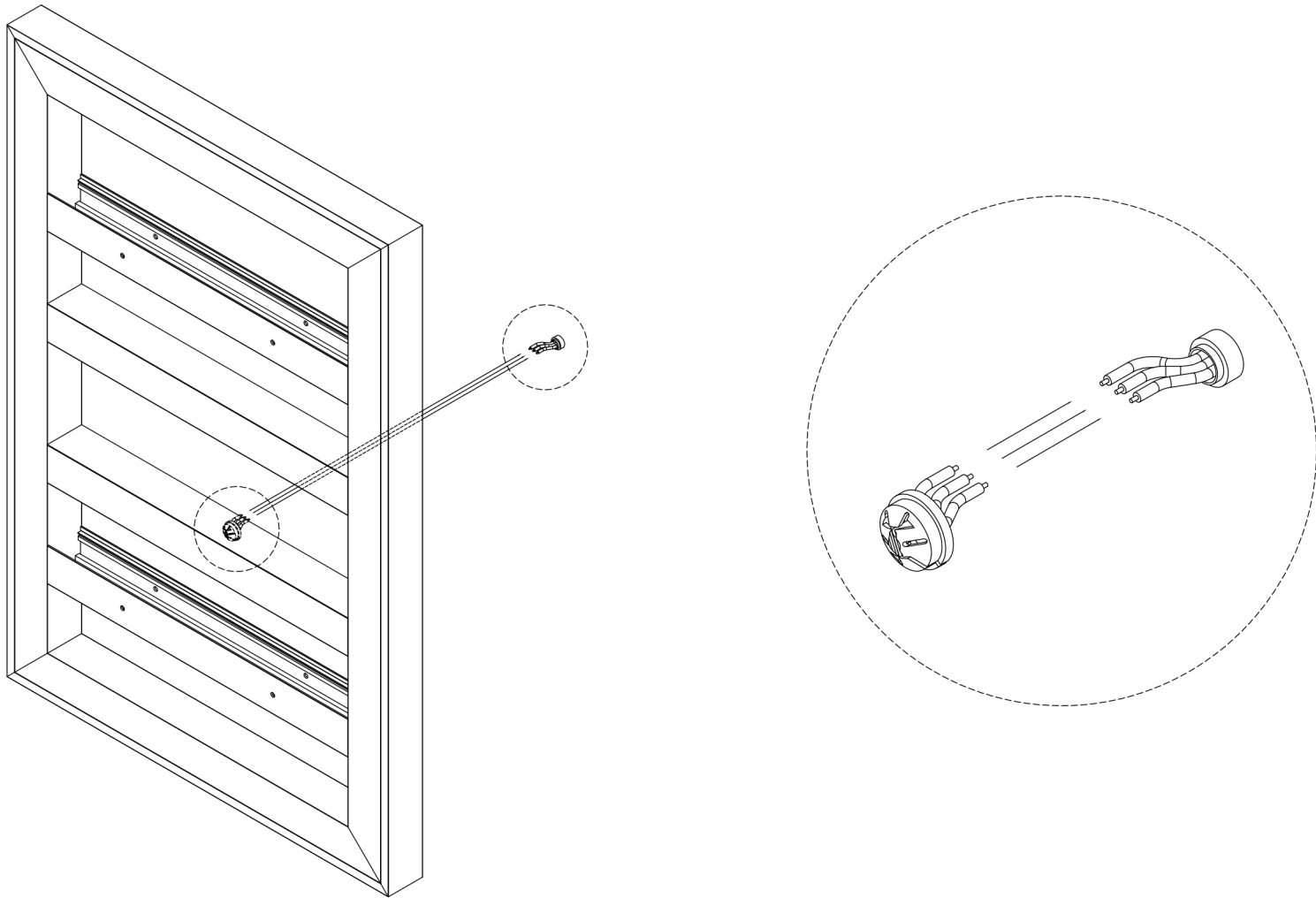


Mirror

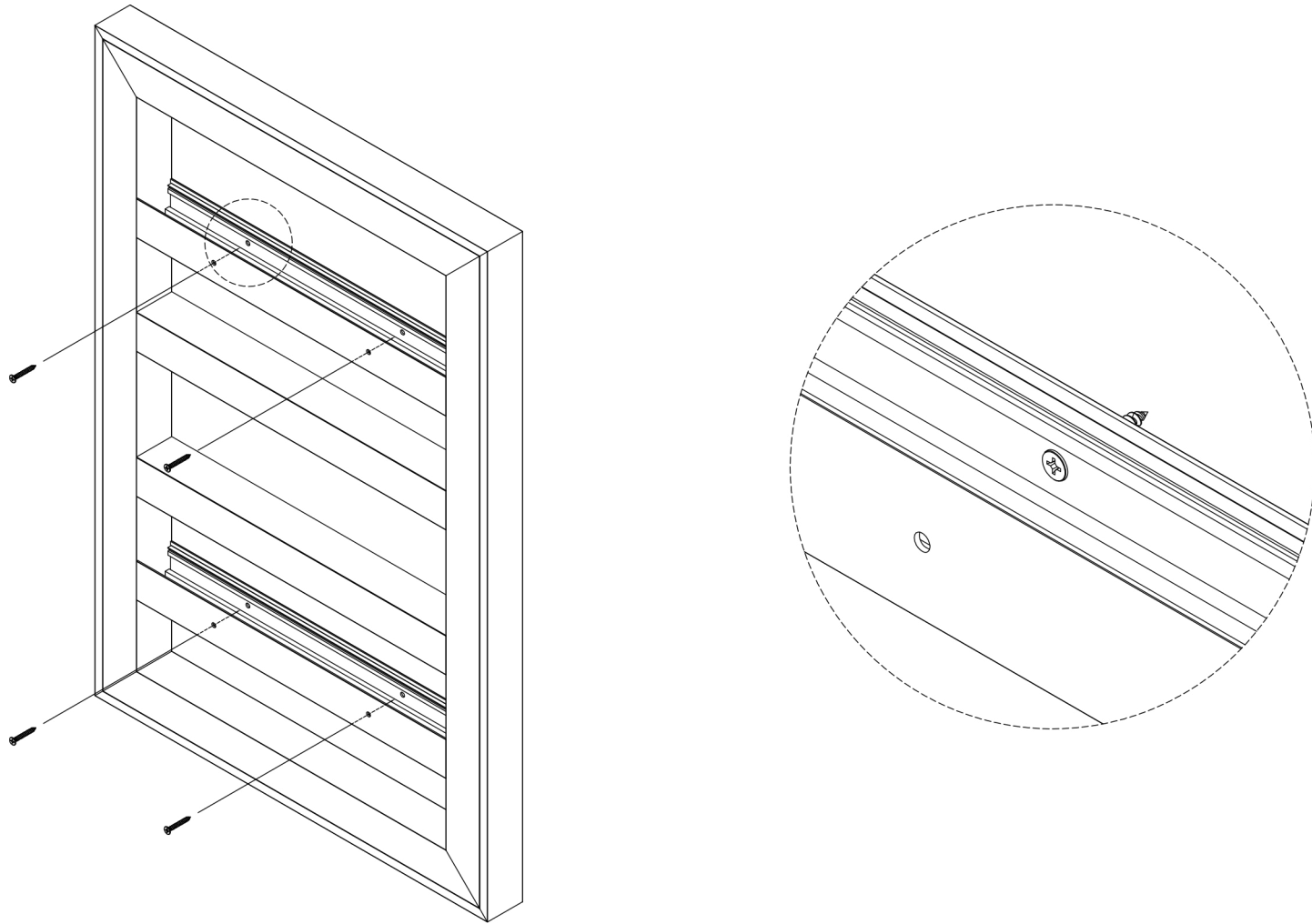


Acrylic Lens

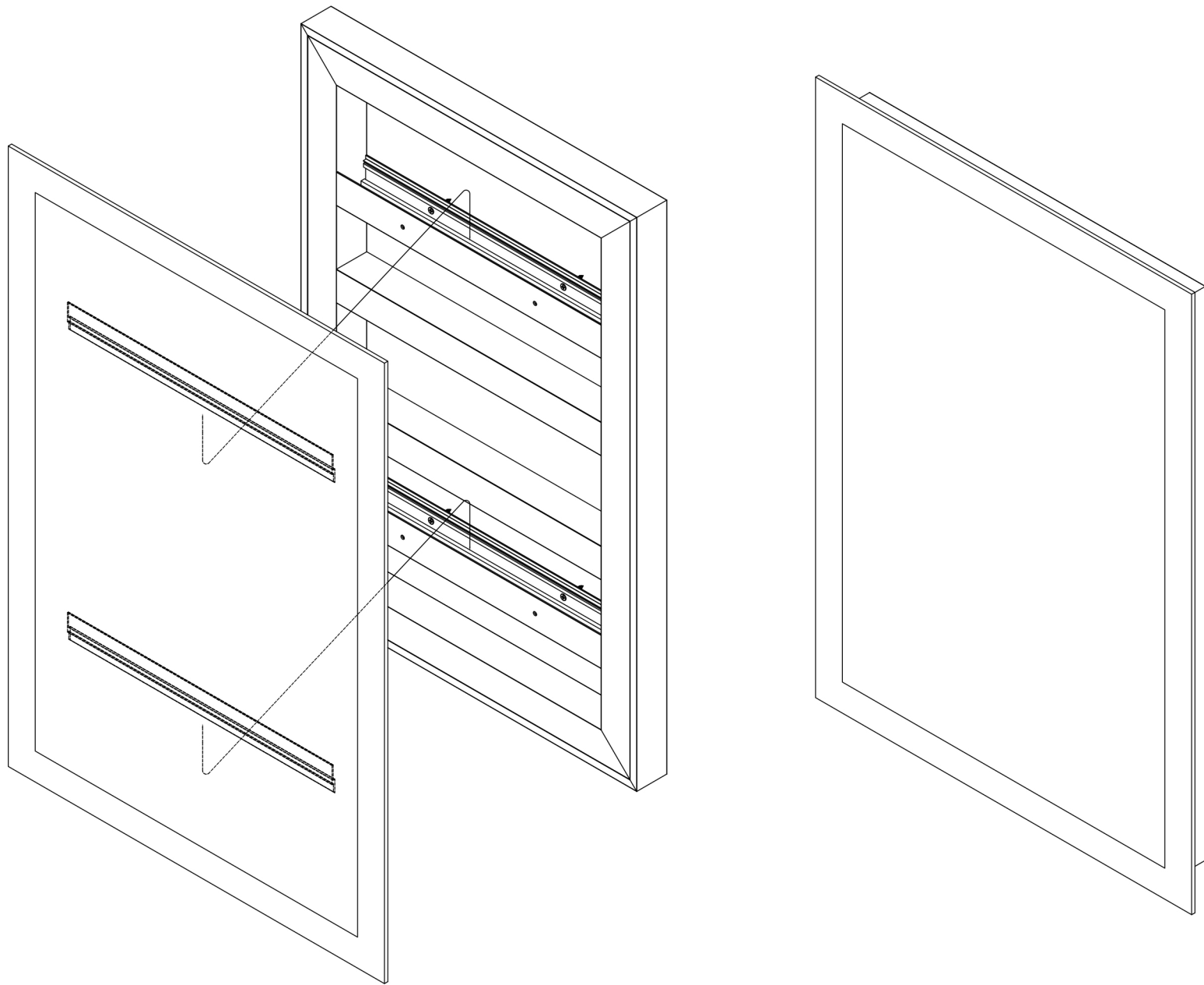
Aluminum Extrusion Frame



1. Connect power cable on back of fixture to power supply cable on wall.  
(Connector is 5in below center of fixture.)



2. Mount fixture to wall using screws (not included).



3. Attach mirror pane to mounted fixture.