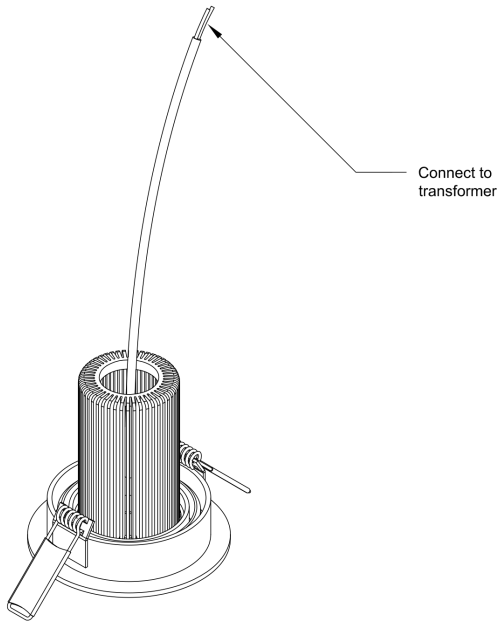
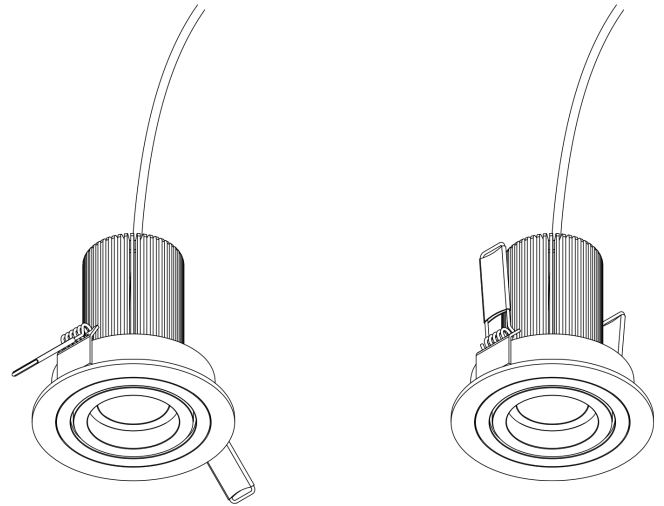


1



Connect the LED to the transformer.

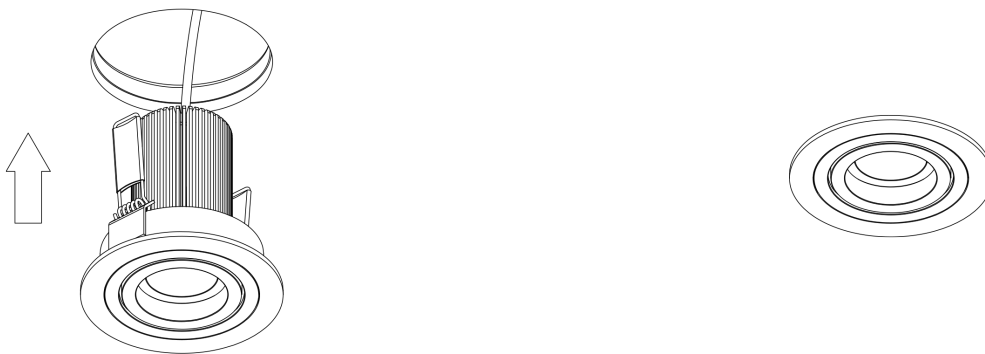
2



Compress the clips on the trim.



3



Push the trim into the ceiling.